



An ADEMCO Group Company

PAL

Mini Surface Contact with Hinged Case Cover

magnetic
contacts

Get Simple PAL



*Just mount and snap the hinged cover closed. No loose parts!
The PAL offers unmatched convenience at no extra cost.
Powerful and easy to install. Now available in AMMO Box
packaging. Bring a PAL along on every installation.*



An ADEMCO Group Company

PAL

Mini Surface Contact with Hinged Case Cover

The ASC Edge

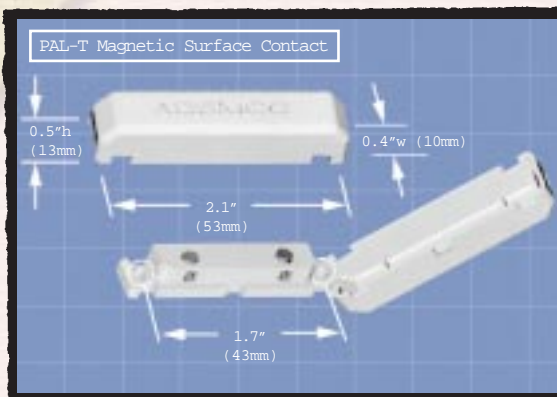
- ◆ Unique snap open case cover...just mount and snap the case closed. No loose parts!
- ◆ Concealed screw terminals eliminate splicing and soldering
- ◆ Super 1 1/8" wide gap makes installation a snap
- ◆ Screw mount or adhesive mount
- ◆ Six wire entry points for the most mounting versatility ever
- ◆ Slotted screw mount holes allow adjustment
- ◆ Conceals EOL resistor



PAL-T-WH with screw terminals and hinged case cover



PAL-WH with 5 ft. leads



PAL Specifications

Contact Type:	Mini surface mount with one piece snap on hinged cover.
Switch Type:	Form A (SPST) reed switch/closed when energized with actuator magnet.
Switch Rating:	24 VDC @ 100 mA continuous.
Gap:	Make distance with actuator magnet = 1-1/8"
Wiring:	Screw terminals (PAL-T-WH & BR) 5 ft. long/22 gauge leads (PAL-WH & BR)
Mounting:	Four (4) #4 screws x 1/2" (included) or 3M adhesive tape pad (factory set)
Dimensions:	2.1" L x 0.5" H x 0.4" W (53mm x 13mm x 10mm)
Listings:	UL, ULC, CE

How to order:

PAL-T-WH	Mini Surface mount with one piece snap on hinged cover White with screw terminals
PAL-T-BR	Mini Surface mount with one piece snap on hinged cover Brown with screw terminals
PAL-WH	Mini Surface mount with one piece snap on hinged cover White with 5 ft. long 22 gauge leads
PAL-BR	Mini Surface mount with one piece snap on hinged cover Brown with 5 ft. long 22 gauge leads



1-800-467-5875

1230 S. Hurstbourne Pkwy., Suite 100, Louisville, KY 40222
L/PAL/D 3/99



Copyright©1999 Pittway Corporation